

# GD15 ■ LCD Mount with gas spring 14"-22"



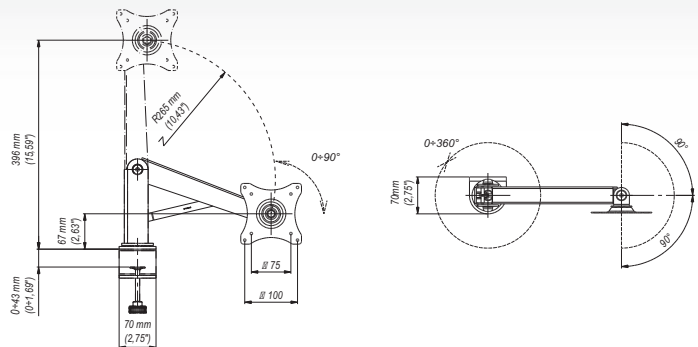
## Features

- 1 **GAS SPRING**
- 2 **ADJUSTABLE POSITION**  
vertical and horizontal with 360° rotation
- 3 **UNIVERSAL**  
standard VESA 75x75, 100x100



## Technical Data

75x75 mm 100x100 mm	14"-22"	90°/90°	min. 75x75 mm max. 100x100 mm
10 Kg	90°/90°	360°	



## Accessories

Series GDA



## Trade Information

Index	Colour	Package	EAN
GD15c-B	■	■	5908252960385
GD15s-B	■	■	5908252960392

Package Dimensions [mm] (H x W x D)	620x170x130
Weight [Kg]	2.3